



SOSEN LED Driver, Your Smart Choice

Specifications

SS-CON2 LED Driver Power Dimming Module

Model: SS-CON2

Description: LED Driver Power
Dimming Module

Rev.: V00

Release Date: 2022-03-24

SS-CON2 LED Driver Power Dimming Module

SOSEN
LED DRIVER



LED DRIVER
—
CON2



Features:

- Easy and fast connection
- Precise dimming
- Universal network interface for easy control
- Warranty: 2 years

Description:

SS-CON2 products provide gear dimming and network interface connection services for LED drive power. Gear dimming has 0%, 25%, 50%, 75%, 100% five gears, which is beneficial to provide customers with plant lighting and indoor lighting required dimming requirements. The network interface is suitable for RJ11, RJ14, RJ25 plugs, which can be used for dimming and programming and the connection is convenient and quick.

Applications:

Plant lighting, Indoor lighting

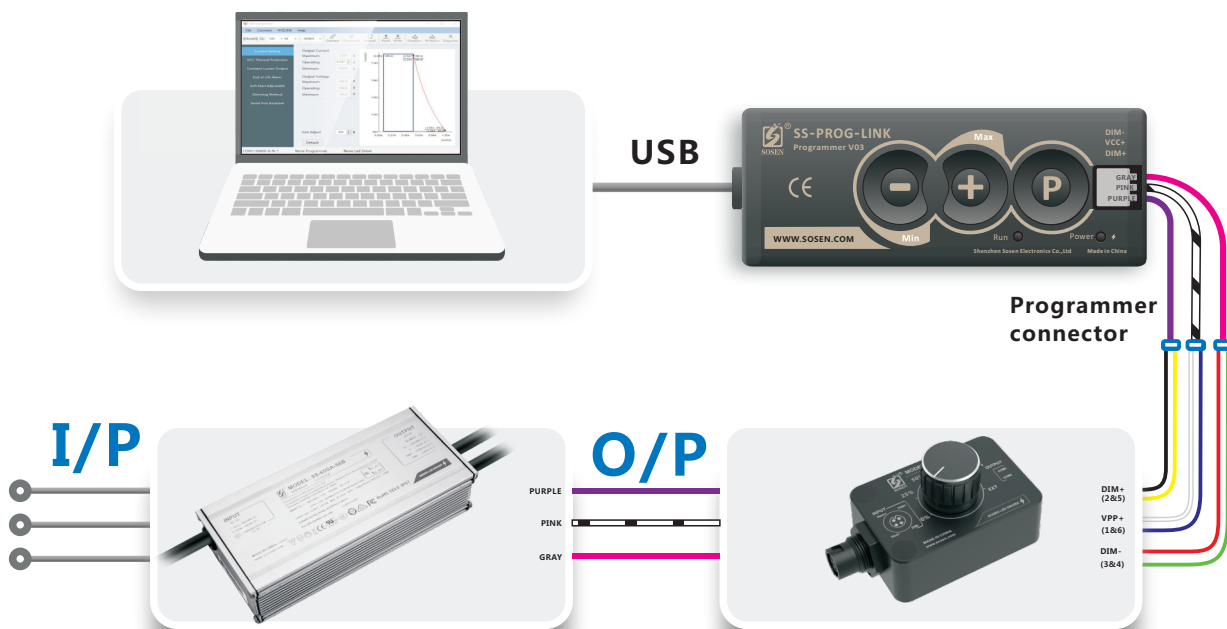
Environmental Requirements

Parameter	Min.	Typ.	Max.	Remark
Operating Temperature(Tcase)	-20°C	25°C	+60°C	
Storage Temperature	-20°C	25°C	+85°C	
Operation Humidity	10%RH		90%RH	
Storage Humidity	5%RH		95%RH	
Altitude	-65m		3000m	

SS-CON2 LED Driver Power Dimming Module

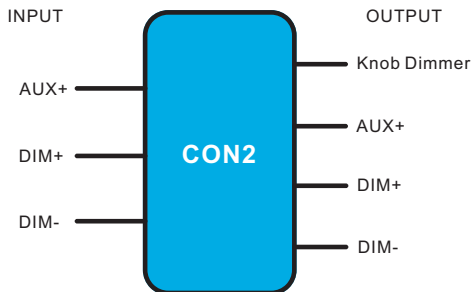
Programming connection diagram :

Programming could be completed by off-line mode either without turn on the driver nor without PC, other than the traditional on-line mode.



SS-CON2 LED Driver Power Dimming Module

Mechanical Characteristics



DIM Input Cable:

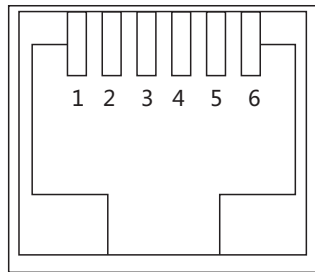
UL model: M12 self-locking 4-pin combination, 22mm, UL1569/22AWG

DIM/Programming Cable:

Knob Dimmer, RJ25 port

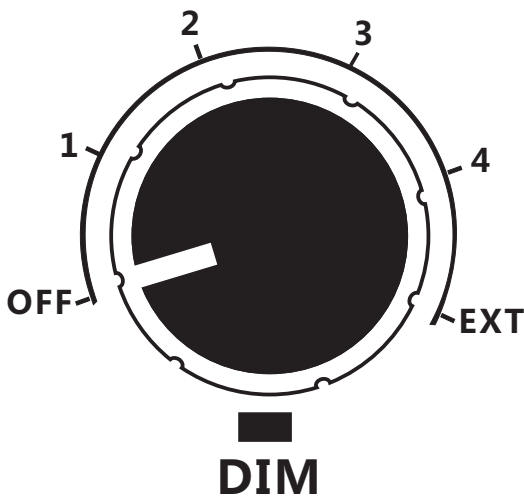


PLUG



JACK

RJ25 PIN	Definition
1&6	VPP+
2&5	DIM+
3&4	DIM-

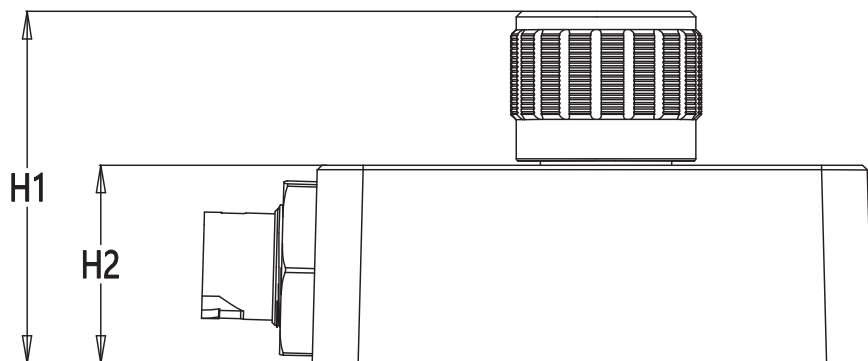
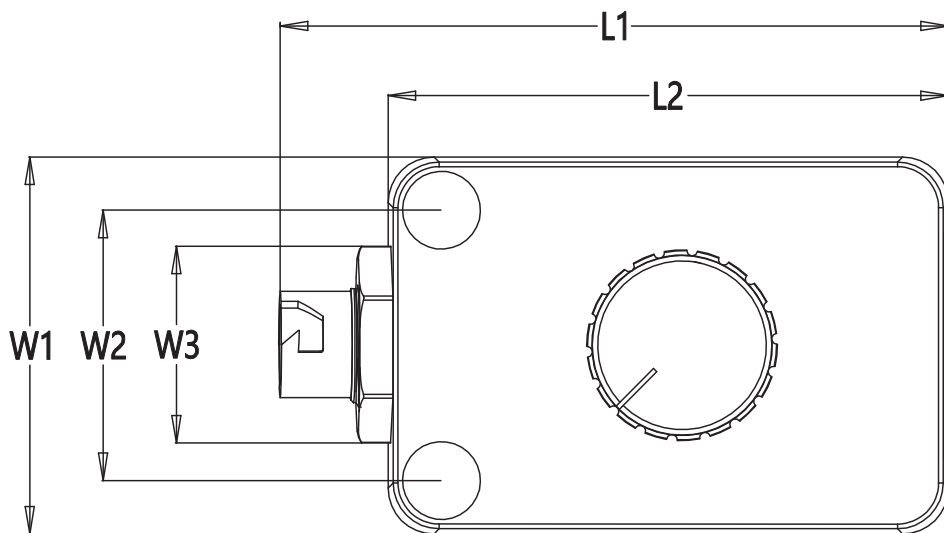


Switch	Definition
OFF	Dim to off
1	25%Ioset
2	50%Ioset
3	75%Ioset
4	100%Ioset
EXT	External Dimming

SS-CON2 LED Driver Power Dimming Module

Mechanical Characteristics

Name Description	Standard Code	mm(In.)
Case Width	W1	41.8(1.65)
Case Height	H1	38.5(1.52)
Case Height	H2	21.6(0.85)
Overall Length	L1	73(2.87)
Mounting Hole Length	L2	61.8(2.43)
Mounting Hole Width	W2	29.5(1.16)
Mounting Hole Width	W3	21.5(0.85)



SS-CON2 LED Driver Power Dimming Module



Assembly Tips

1. The RJ25 port is non-waterproof, please pay attention to the damp and wet environment and avoid water entering into the LED driver affecting the normal operation.

Package

- Outside carton dimension: L×W×H =437mm×267mm×178mm;
- 100PCS/Carton;
- Net weight/Piece: 0.037kg;Gross weight/Carton: 5.2kg;
- Please refer to the product name, model number, manufacturer identification, QC PASS, manufacturing date on the package.

Transportation

Packaging is designed suitable for transportation by trucks, vessels and flights. The products should be avoided direct sunlight and rain, loaded/unloaded with caution.

Storage

The product storage meets the standard of the GB 3873 - 83.
Products should be rechecked if stored for over 1 year before assembly.

RoHS

Products comply with RoHS Directive (2011/65/EU) and amendment 2015/863/EU.

SS-CON2 LED Driver Power Dimming Module

Revision History

Version	Description of Update	Updated Date	Remark
V00	Original Release	2022/03/24	