

SPECIFICATION

LED Surge Protective Device

Model: SS-SPD-XX

Description: Surge Protective Device

Rev.: V00

Release Date: 2017-12-11

SHENZHEN SOSEN ELECTRONICS CO.,LTD

Add: A3 Building, Gonghe Fourth Industrial Area, Shajing Street,
Baoan District, Shenzhen, China 518104

Features

- Working input voltage : 90Vac~305Vac
- IP67
- High temperature resistance; Ta is up to 85°C
- Safety standard : GB18802.1 , EN61643-11 , EN61000-4-5
- Wiring Configuration : in series



SS-SPD-10KV



SS-SPD-15KV/20KV

Description

SS-SPD is designed for led driver to provide additional level of surge protection.

Model List

Model	Max. Surge Resistance Voltage	Clamped Voltage	Discharge Current In(MAX)	Size (L*W*H) mm	Certification
SS-SPD-10KV	10KV	≤1500V	5KA	129.8*37*17.5	EN61643-11
SS-SPD-15KV	15KV	≤1500V	7.5KA	84*38*42.5	EN61643-11
SS-SPD-20KV	20KV	≤1500V	10KA	84*38*42.5	EN61643-11

Note : Default Tested at 230Vac, full load, Ta 25°C.

Other Characteristics

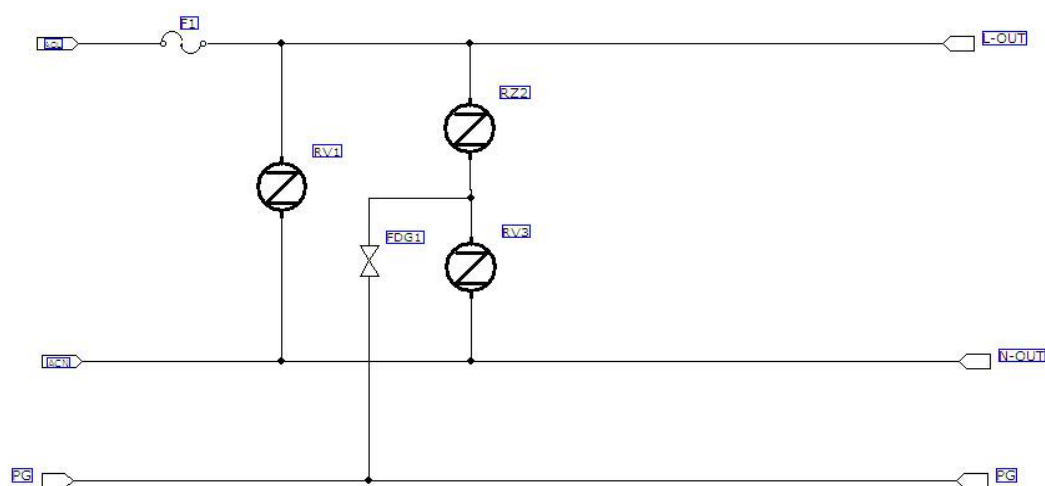
Parameter	Min	Typ.	Max	Remarks
Rated AC input range	100Vac		277Vac	
AC input range	90 Vac		305Vac	
Input frequency range	47Hz		63Hz	
Ground resistance			≤0.1Ω	
Lifespan	60 次			≤Max. Surge resistance voltage
Response time	L-N≤25ns;N-PE≤100ns;L-PE≤100ns			

Environmental Requirements

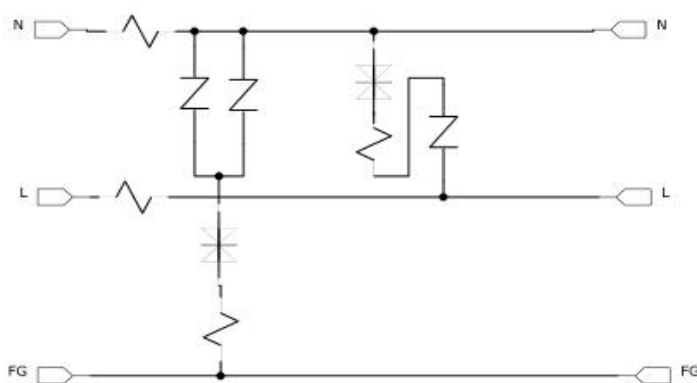
Parameter	Min	Typ.	Max	Remarks
Operating Temperature	-40°C	25°C	+85°C	
Storage Temperature	-40°C	25°C	+85°C	
Operation Humidity	10%RH		90%RH	
Storage Humidity	5%RH		95%RH	
Altitude	-65m		4000m	
Cooling Method	Air Cooling			

Schematic

SS-SPD-10KV & SS-SPD-15KV



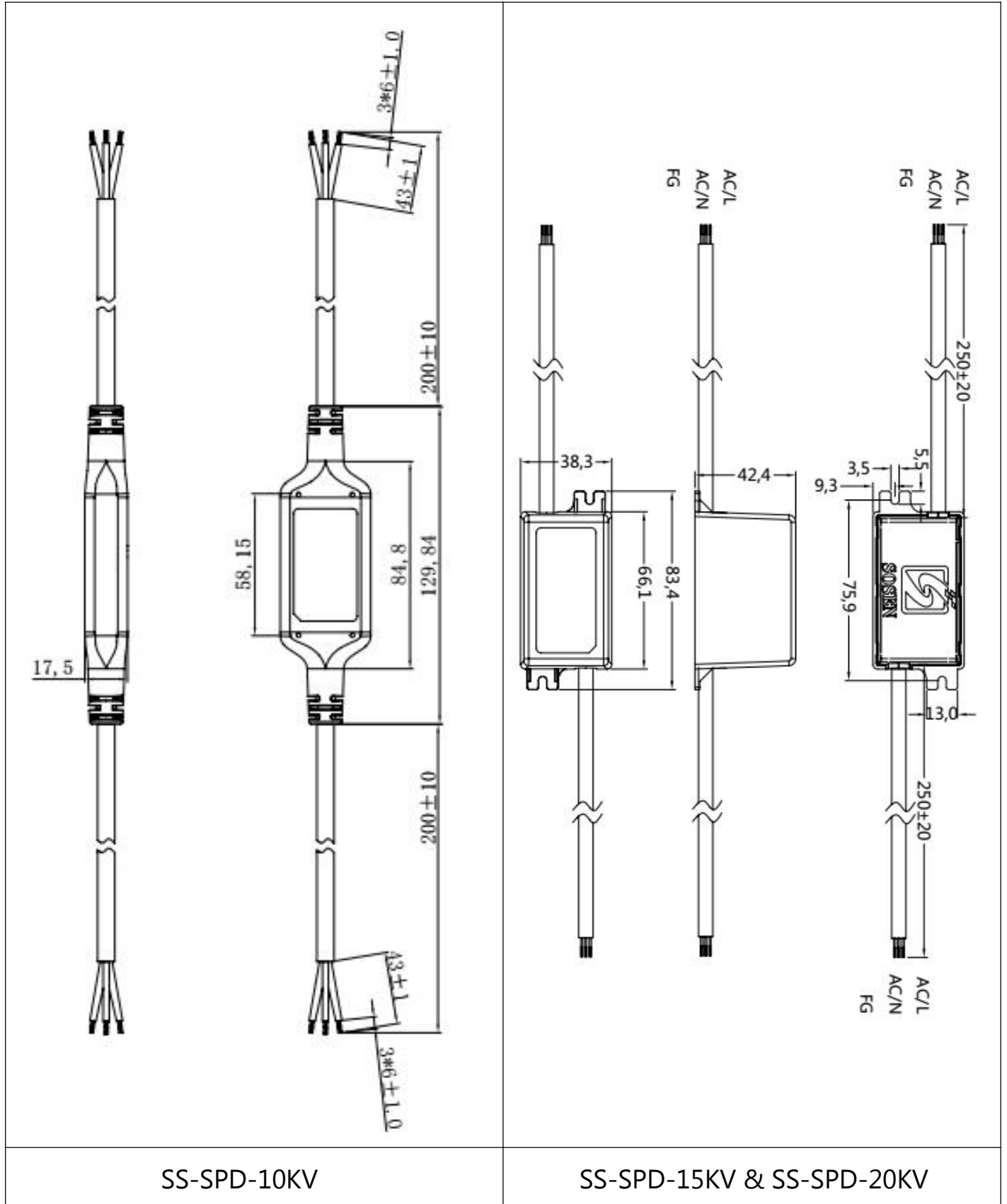
SS-SPD-20KV



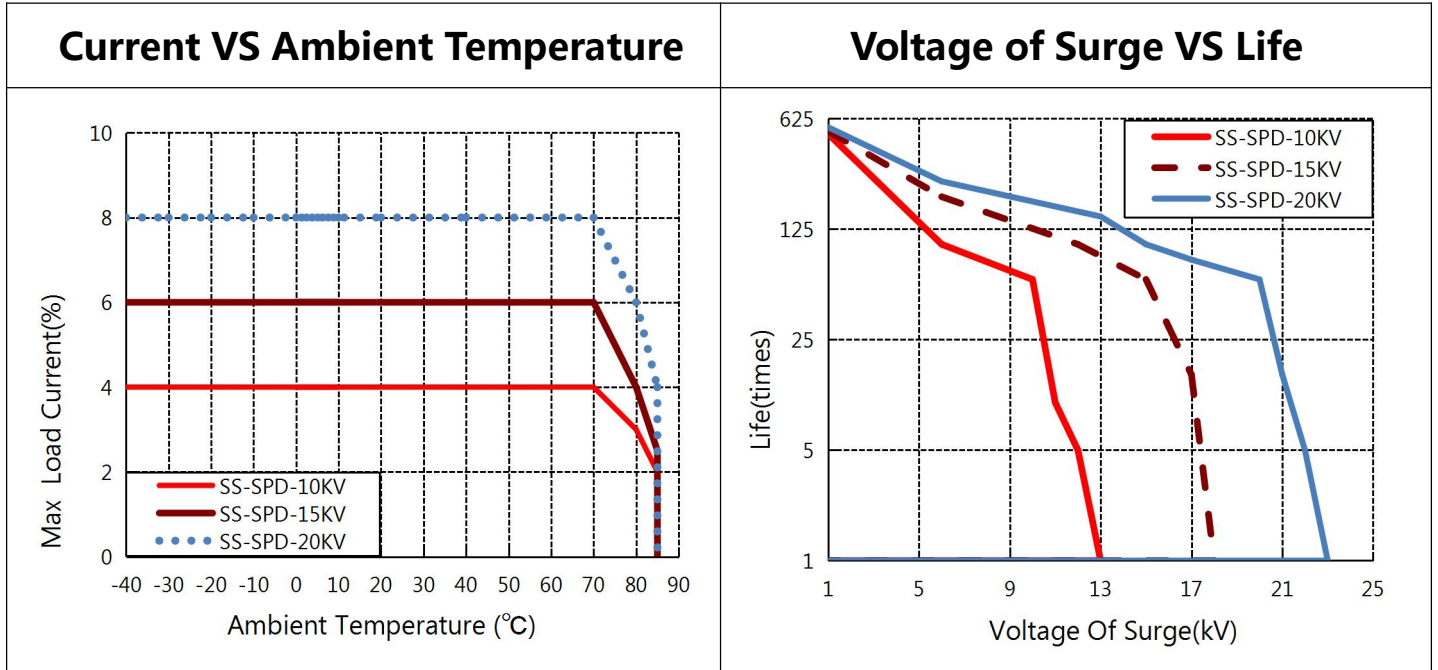


SOSEN

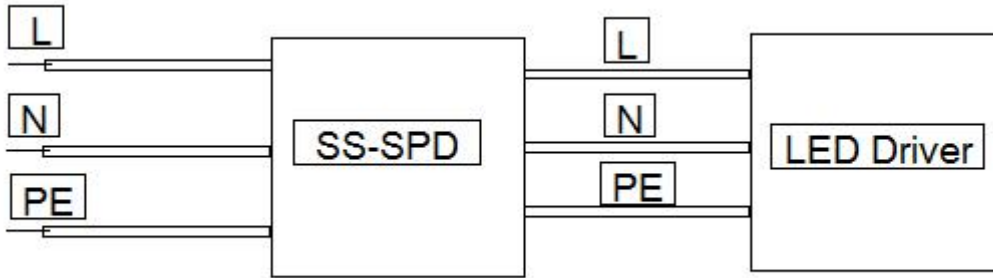
Mechanical Characteristics(Unit: mm)



Performance Curves



Connection





Package, Transportation & Storage

1. Package

Model	Carton Size (L×W×H)	QTY/Carton	Net weight /Piece	Gross weight /Carton
SS-SPD-10KV	522*234*197	128PCS	110g	15kg
SS-SPD-15KV	522*234*197	48PCS	150g	8.5kg
SS-SPD-20KV	522*234*197	48PCS	150g	8.5kg

Note : There are product name, model, manufacturer, date of manufacture and certificate of approval issued by quality inspection department on the outer carton and packing list inside.

2. Transportation

Packaging is designed suitable for transportation by trucks, vessels and flights. The products should be shielded from direct sunshine, loaded/unloaded with caution.

3. Storage

The product storage meets the standard of the GB 3873—83.

Products should be rechecked if stock for over 1 year before installation.